

**CGUSM6** Comparable to the DODGE TXT6

List Price: \$5,374.00

Your Cost: \$2,255.82



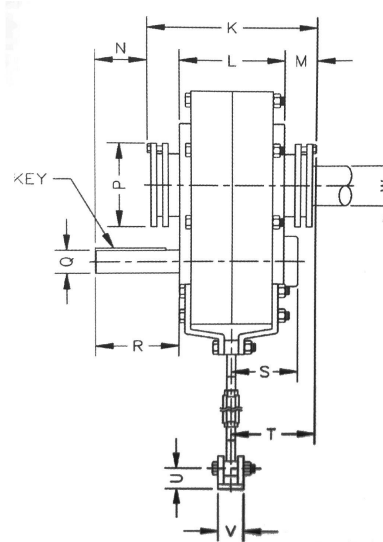
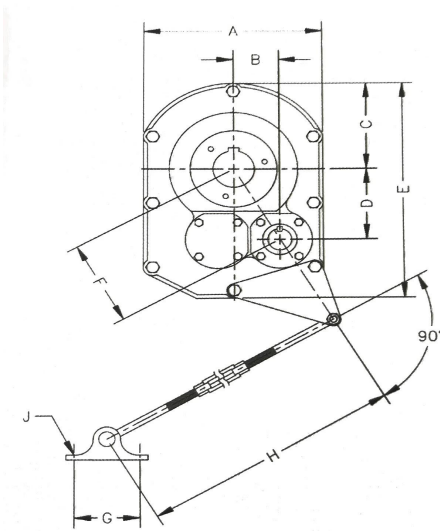
Sales@IEMColorado.com  
www.IEMColorado.com

**SHAFT MOUNT REDUCER DIMENSIONS**

**Shaft Mount Reducer**

MODEL	A	B	C	D	E	F	G	H Min/Max	J	K	L
CGUSM2	8.43	2.14	4.13	3.76	11.42	4.32	3	26.94 / 32.94	0.44	7.32	4.5
CGUSM3	9.25	2.33	4.84	4.17	12.88	4.78	3	26.94 / 32.94	0.44	9.22	5.63
CGUSM4	10.51	2.76	5.51	4.79	15.24	5.53	4	29.19 / 35.19	0.5	9.98	6.14
CGUSM5	13.15	3.04	6.57	5.67	18.15	6.43	4	29.19 / 35.19	0.5	10.52	6.46
<b>CGUSM6</b>	<b>15.43</b>	<b>4.09</b>	<b>7.72</b>	<b>6.73</b>	<b>21.65</b>	<b>7.88</b>	<b>4.75</b>	<b>29.19 / 35.19</b>	<b>0.63</b>	<b>11.53</b>	<b>7.28</b>
CGSM7	18.75	5.11	9.38	8.3	25.94	9.74	4.75	29.44 / 35.44	0.63	12.85	7.75
CGSM8	20.25	6.03	10.13	9.5	28.25	11.25	7	30.00 / 36.00	0.75	14.03	8.37
CGSM9	22.63	6.59	11.31	10.81	31.69	12.66	7	30.00 / 36.00	0.75	14.12	8.42
CGSM10	22.63	6.59	12.75	12.5	35	14.13	7.09	30.00 / 36.00	0.75	15.63	9.49

MODEL	M	N	P	Q	R	S	T	KEY	U	V	W Max.
CGUSM2	0.65	3.01	4.09	1-1/8	3.59	2.91	3.66	1/4 SQ x 2.50	1.06	1.25	1-15/16
CGUSM3	0.81	3.22	4.39	1-1/4	4.34	3.25	3.75	1/4 SQ x 2.88	1.06	1.25	2-3/16
CGUSM4	0.85	4.31	4.8	1-7/16	5.57	3.37	3.92	3/8 SQ x 4.06	1.75	1.44	2-7/16
CGUSM5	0.93	4.34	5.63	1-15/16	5.75	4.14	4.41	1/2 SQ x 4.50	1.75	1.44	2-15/16
<b>CGUSM6</b>	<b>0.98</b>	<b>4.69</b>	<b>6.1</b>	<b>2-3/16</b>	<b>6.08</b>	<b>4.57</b>	<b>5.28</b>	<b>1/2 SQ x 4.50</b>	<b>2</b>	<b>2.75</b>	<b>3-7/16</b>
CGSM7	2.5	3.75	7.25	2-7/16	6.35	4.69	6.38	5/8 SQ x 4.75	2	2.75	3-15/16
CGSM8	2.88	4.31	7.25	2-7/16	7.11	5.85	7.04	5/8 SQ x 5.38	3.13	4	4-7/16
CGSM9	2.98	6.63	8.75	2-7/16	9.65	5.66	7.04	5/8 SQ x 7.75	3.13	4	4-15/16
CGSM10	3.07	6.53	10	2-11/16	9.65	6.91	7.04	5/8 SQ x 7.88	3.13	4	5-7/16



**Note:**  
Torque Arm Assembly  
Included with Reducer

**Tapered Bushing Kits**

Reducer Size	Bore Size	Part #	Weight (lbs)	Cost
<b>CGUSM6</b>	2-1/2	6CGB-2-1/2	10	\$171.00
	2-11/16	6CGB-2-11/16	10	\$171.00
	2-7/8	6CGB-2-7/8	10	\$171.00
	2-15/16	6CGB-2-15/16	10	\$171.00
	3	6CGB-3	10	\$171.00
	3-7/16	6CGB-3-7/16	10	\$171.00



**Torque Arm Kits**

Reducer Size	Part #	Weight (lbs)	Cost
<b>CGUSM6</b>	6CGTA	20	\$132.00

