

CGUSM5 Comparable to the DODGE TXT5

List Price: \$3,360.00

Your Cost: \$1,407.00



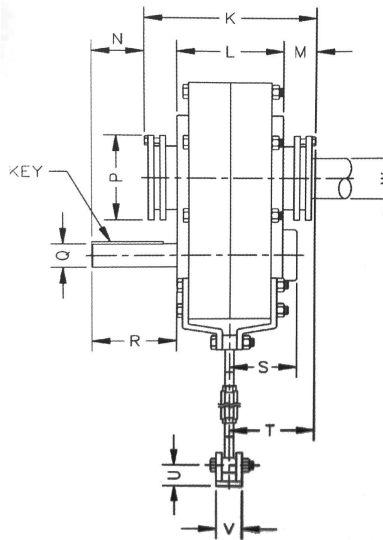
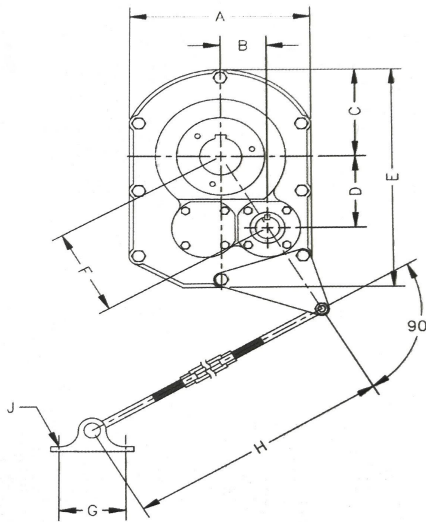
Sales@IEMColorado.com
www.IEMColorado.com

SHAFT MOUNT REDUCER DIMENSIONS

Shaft Mount Reducer

| MODEL | A | B | C | D | E | F | G | H Min/Max | J | K | L |
|---------------|--------------|-------------|-------------|-------------|--------------|-------------|----------|----------------------|------------|--------------|-------------|
| CGUSM2 | 8.43 | 2.14 | 4.13 | 3.76 | 11.42 | 4.32 | 3 | 26.94 / 32.94 | 0.44 | 7.32 | 4.5 |
| CGUSM3 | 9.25 | 2.33 | 4.84 | 4.17 | 12.88 | 4.78 | 3 | 26.94 / 32.94 | 0.44 | 9.22 | 5.63 |
| CGUSM4 | 10.51 | 2.76 | 5.51 | 4.79 | 15.24 | 5.53 | 4 | 29.19 / 35.19 | 0.5 | 9.98 | 6.14 |
| CGUSM5 | 13.15 | 3.04 | 6.57 | 5.67 | 18.15 | 6.43 | 4 | 29.19 / 35.19 | 0.5 | 10.52 | 6.46 |
| CGUSM6 | 15.43 | 4.09 | 7.72 | 6.73 | 21.65 | 7.88 | 4.75 | 29.19 / 35.19 | 0.63 | 11.53 | 7.28 |
| CGSM7 | 18.75 | 5.11 | 9.38 | 8.3 | 25.94 | 9.74 | 4.75 | 29.44 / 35.44 | 0.63 | 12.85 | 7.75 |
| CGSM8 | 20.25 | 6.03 | 10.13 | 9.5 | 28.25 | 11.25 | 7 | 30.00 / 36.00 | 0.75 | 14.03 | 8.37 |
| CGSM9 | 22.63 | 6.59 | 11.31 | 10.81 | 31.69 | 12.66 | 7 | 30.00 / 36.00 | 0.75 | 14.12 | 8.42 |
| CGSM10 | 22.63 | 6.59 | 12.75 | 12.5 | 35 | 14.13 | 7.09 | 30.00 / 36.00 | 0.75 | 15.63 | 9.49 |

| MODEL | M | N | P | Q | R | S | T | KEY | U | V | W Max. |
|---------------|-------------|-------------|-------------|----------------|-------------|-------------|-------------|----------------------|-------------|-------------|----------------|
| CGUSM2 | 0.65 | 3.01 | 4.09 | 1-1/8 | 3.59 | 2.91 | 3.66 | 1/4 SQ x 2.50 | 1.06 | 1.25 | 1-15/16 |
| CGUSM3 | 0.81 | 3.22 | 4.39 | 1-1/4 | 4.34 | 3.25 | 3.75 | 1/4 SQ x 2.88 | 1.06 | 1.25 | 2-3/16 |
| CGUSM4 | 0.85 | 4.31 | 4.8 | 1-7/16 | 5.57 | 3.37 | 3.92 | 3/8 SQ x 4.06 | 1.75 | 1.44 | 2-7/16 |
| CGUSM5 | 0.93 | 4.34 | 5.63 | 1-15/16 | 5.75 | 4.14 | 4.41 | 1/2 SQ x 4.50 | 1.75 | 1.44 | 2-15/16 |
| CGUSM6 | 0.98 | 4.69 | 6.1 | 2-3/16 | 6.08 | 4.57 | 5.28 | 1/2 SQ x 4.50 | 2 | 2.75 | 3-7/16 |
| CGSM7 | 2.5 | 3.75 | 7.25 | 2-7/16 | 6.35 | 4.69 | 6.38 | 5/8 SQ x 4.75 | 2 | 2.75 | 3-15/16 |
| CGSM8 | 2.88 | 4.31 | 7.25 | 2-7/16 | 7.11 | 5.85 | 7.04 | 5/8 SQ x 5.38 | 3.13 | 4 | 4-7/16 |
| CGSM9 | 2.98 | 6.63 | 8.75 | 2-7/16 | 9.65 | 5.66 | 7.04 | 5/8 SQ x 7.75 | 3.13 | 4 | 4-15/16 |
| CGSM10 | 3.07 | 6.53 | 10 | 2-11/16 | 9.65 | 6.91 | 7.04 | 5/8 SQ x 7.88 | 3.13 | 4 | 5-7/16 |



Note:
Torque Arm Assembly
Included with Reducer

Tapered Bushing Kits

| Reducer Size | Bore Size | Part # | Weight (lbs) | Cost |
|---------------|-----------|--------------|--------------|----------|
| CGUSM5 | 2-3/16 | 5CGB-2-3/16 | 10 | \$132.00 |
| | 2-1/4 | 5CGB-2-1/4 | 10 | \$132.00 |
| | 2-7/16 | 5CGB-2-7/16 | 10 | \$132.00 |
| | 2-1/2 | 5CGB-2-1/2 | 10 | \$132.00 |
| | 2-11/16 | 5CGB-2-11/16 | 10 | \$132.00 |
| | 2-15/16 | 5CGB-2-15/16 | 10 | \$132.00 |



Torque Arm Kits

| Reducer Size | Part # | Weight (lbs) | Cost |
|---------------|--------|--------------|---------|
| CGUSM5 | 5CGTA | 15 | \$73.00 |