



No.:

Customer :

TECHNICAL PROPOSAL

Three-phase induction motor - Squirrel cage rotor



Product line : Three-Phase: W22 Crusher Duty TEFC (IP55)

Catalog Number : 35018ET3GKD449T-W22

List Price : \$36,517.00

Notes:

Performed by:

Checked:

DATA SHEET



Three Phase Induction Motor - Squirrel Cage

Customer :					
Product line	: W22 NEMA Premium Efficiency Three-Phase	Product code :	13500655		
		Catalog # :	35018ET3GKD449T-W22		
Frame	: 447/9T	Locked rotor time	: 25s (cold) 14s (hot)		
Output	: 350 HP (260 kW)	Temperature rise	: 80 K		
Poles	: 4	Duty cycle	: Cont.(S1)		
Frequency	: 60 Hz	Ambient temperature	: -20°C to +40°C		
Rated voltage	: 460 V	Altitude	: 1000 m.a.s.l.		
Rated current	: 394 A	Protection degree	: IP55		
L. R. Amperes	: 2522 A	Cooling method	: IC411 - TEFC		
LRC	: 6.4x(Code G)	Mounting	: F-1		
No load current	: 125 A	Rotation ¹	: Both (CW and CCW)		
Rated speed	: 1780 rpm	Noise level ²	: 75.0 dB(A)		
Slip	: 1.11 %	Starting method	: Direct On Line		
Rated torque	: 141 kgfm	Approx. weight ³	: 1386 kg		
Locked rotor torque	: 250 %				
Breakdown torque	: 240 %				
Insulation class	: F				
Service factor	: 1.15				
Moment of inertia (J)	: A				
Design					
Output	25%	50%	75%	100%	
Efficiency (%)	95.7	95.8	96.2	96.2	
Power Factor	0.52	0.77	0.84	0.86	
Foundation loads					
Max. traction : 2262 kgf					
Max. compression : 3649 kgf					
		<u>Drive end</u>	<u>Non drive end</u>		
Bearing type	:	NU-322 C3	6319 C3		
Sealing	:	WSeal	WSeal		
Lubrication interval	:	4000 h	8000 h		
Lubricant amount	:	60 g	45 g		
Lubricant type	:	Mobil Polyrex EM			
Notes					
This revision replaces and cancel the previous one, which must be eliminated. (1) Looking the motor from the shaft end. (2) Measured at 1m and with tolerance of +3dB(A). (3) Approximate weight subject to changes after manufacturing process. (4) At 100% of full load.			These are average values based on tests with sinusoidal power supply, subject to the tolerances stipulated in NEMA MG-1.		
Rev.	Changes Summary		Performed	Checked	Date
Performed by					
Checked by				Page	Revision
Date	24/04/2018			1 / 6	

TORQUE AND CURRENT VS SPEED CURVE

Three Phase Induction Motor - Squirrel Cage

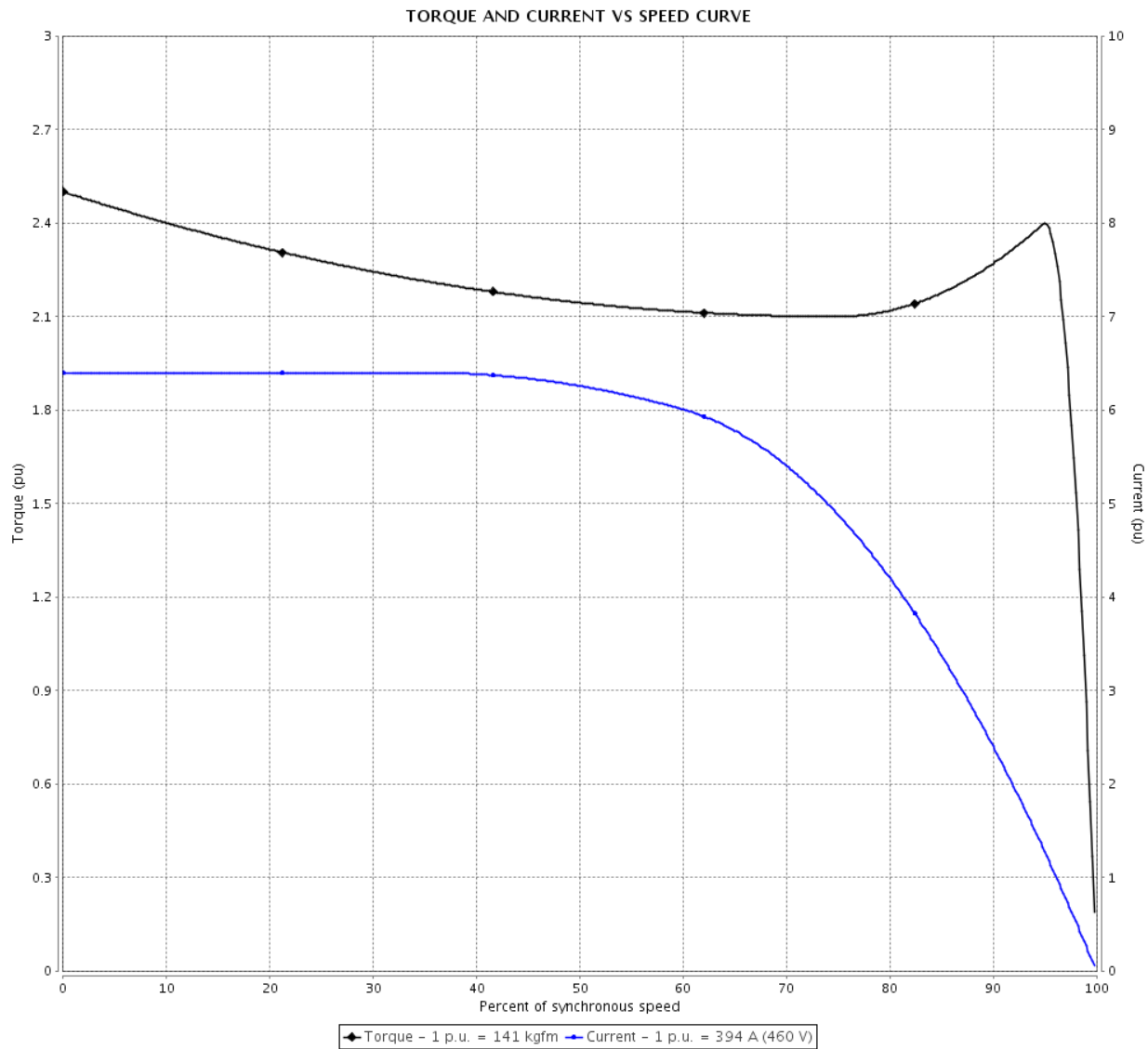


Customer :

Product line : W22 NEMA Premium Efficiency
Three-Phase

Product code : 13500655

Catalog # : 35018ET3GKD449T-W22



Performance : 460 V 60 Hz 4P

Rated current	: 394 A	Moment of inertia (J)	
LRC	: 6.4	Duty cycle	: Cont.(S1)
Rated torque	: 141 kgfm	Insulation class	: F
Locked rotor torque	: 250 %	Service factor	: 1.15
Breakdown torque	: 240 %	Temperature rise	: 80 K
Rated speed	: 1780 rpm	Design	: A

Locked rotor time : 25s (cold) 14s (hot)

Rev.	Changes Summary	Performed	Checked	Date
Performed by			Page 2 / 6	Revision
Checked by				
Date	24/04/2018			

LOAD PERFORMANCE CURVE

Three Phase Induction Motor - Squirrel Cage

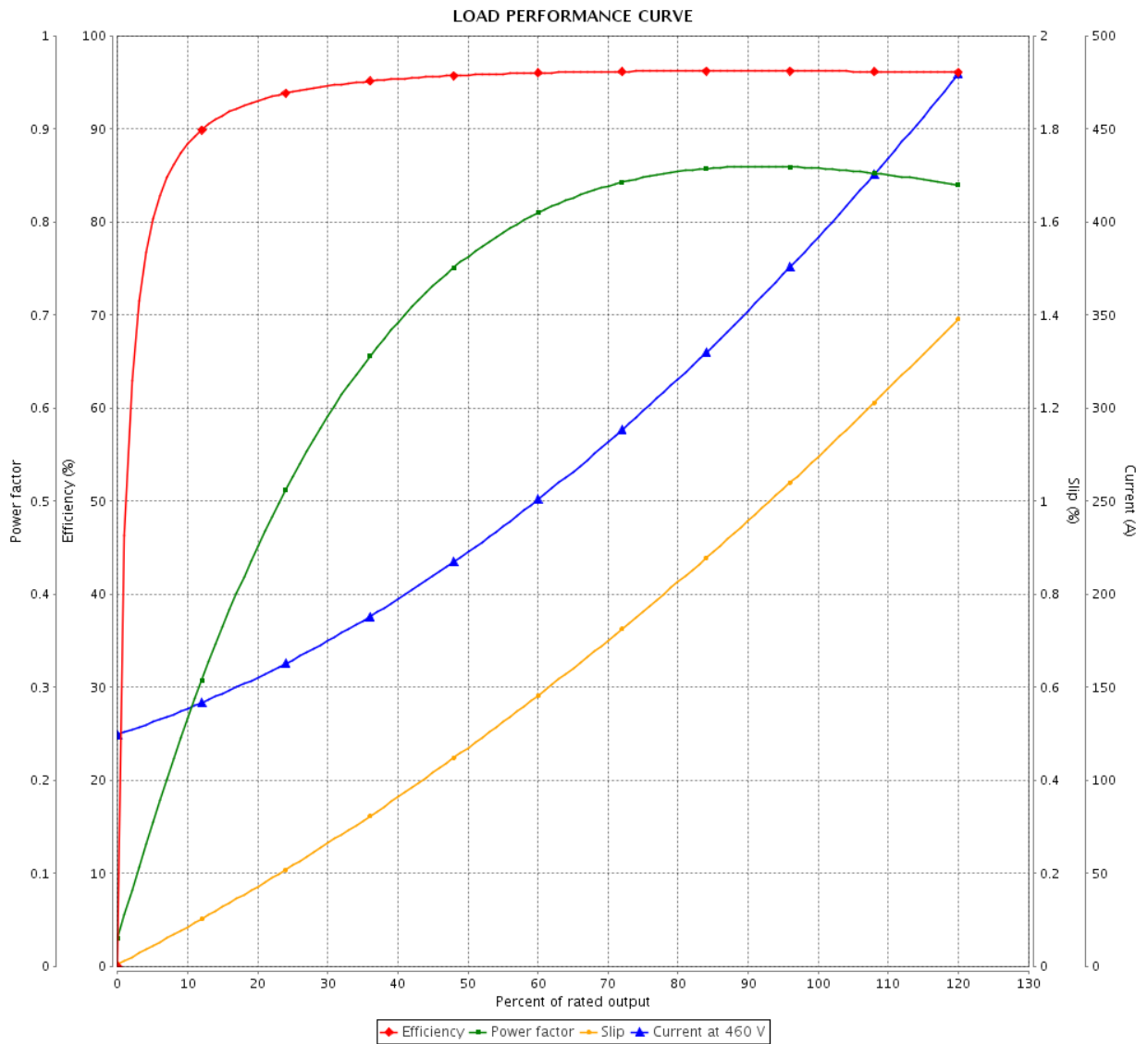


Customer :

Product line : W22 NEMA Premium Efficiency
Three-Phase

Product code : 13500655

Catalog # : 35018ET3GKD449T-W22



Performance : 460 V 60 Hz 4P

Rated current : 394 A
LRC : 6.4
Rated torque : 141 kgfm
Locked rotor torque : 250 %
Breakdown torque : 240 %
Rated speed : 1780 rpm

Moment of inertia (J)
Duty cycle : Cont.(S1)
Insulation class : F
Service factor : 1.15
Temperature rise : 80 K
Design : A

Rev.	Changes Summary	Performed	Checked	Date
Performed by		Page		Revision
Checked by		3 / 6		
Date	24/04/2018			

THERMAL LIMIT CURVE

Three Phase Induction Motor - Squirrel Cage



Customer :

Product line : W22 NEMA Premium Efficiency
Three-Phase

Product code : 13500655

Catalog # : 35018ET3GKD449T-W22

Performance : 460 V 60 Hz 4P

Rated current : 394 A
LRC : 6.4
Rated torque : 141 kgfm
Locked rotor torque : 250 %
Breakdown torque : 240 %
Rated speed : 1780 rpm

Moment of inertia (J)
Duty cycle : Cont.(S1)
Insulation class : F
Service factor : 1.15
Temperature rise : 80 K
Design : A

Heating constant

Cooling constant

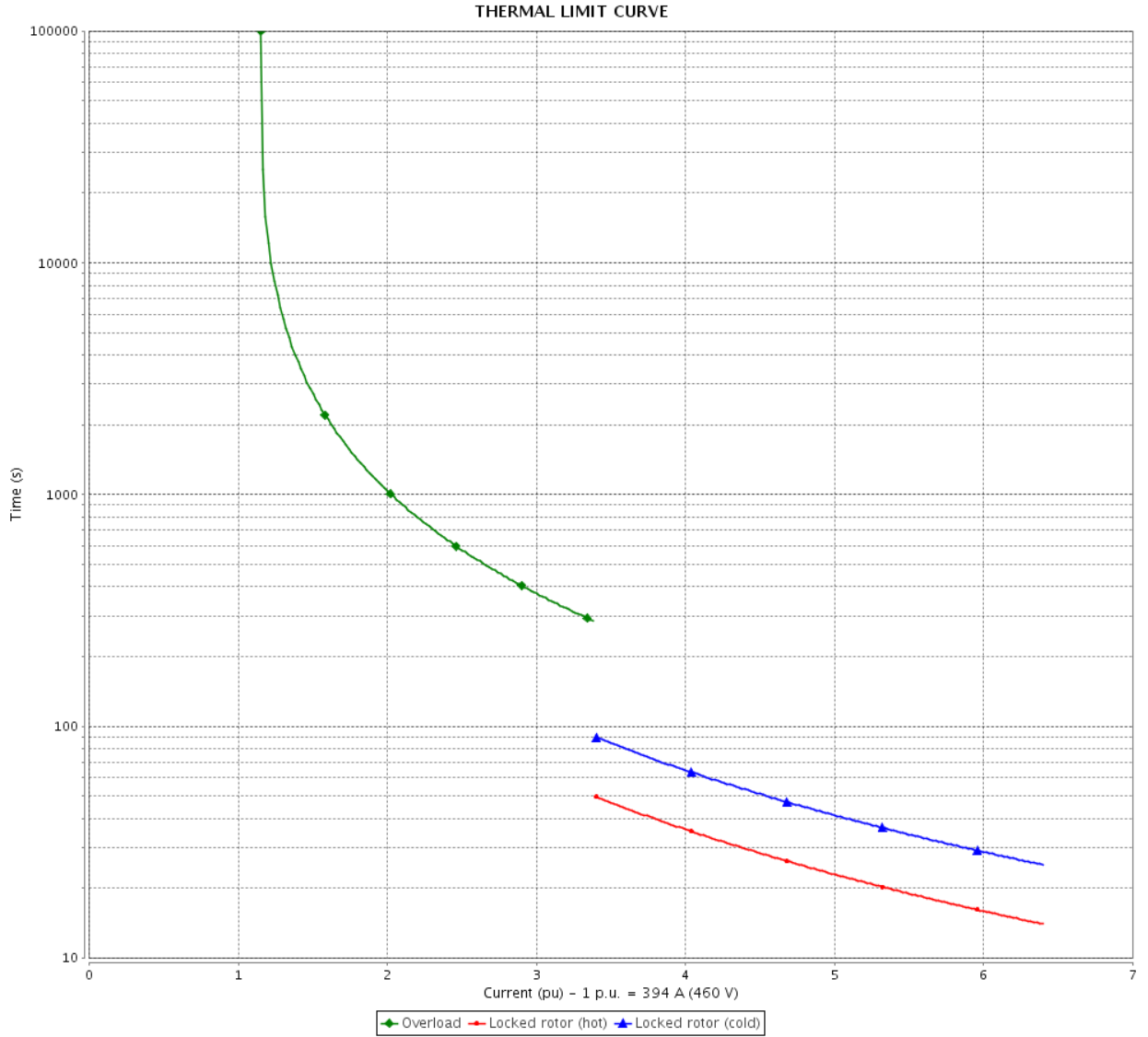
Rev.	Changes Summary	Performed	Checked	Date
Performed by				
Checked by			Page	Revision
Date	24/04/2018		4 / 6	

THERMAL LIMIT CURVE

Three Phase Induction Motor - Squirrel Cage



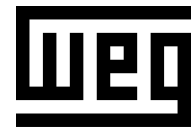
Customer : _____



Rev.	Changes Summary	Performed	Checked	Date
Performed by			Page	Revision
Checked by				
Date				

VFD OPERATION CURVE

Three Phase Induction Motor - Squirrel Cage

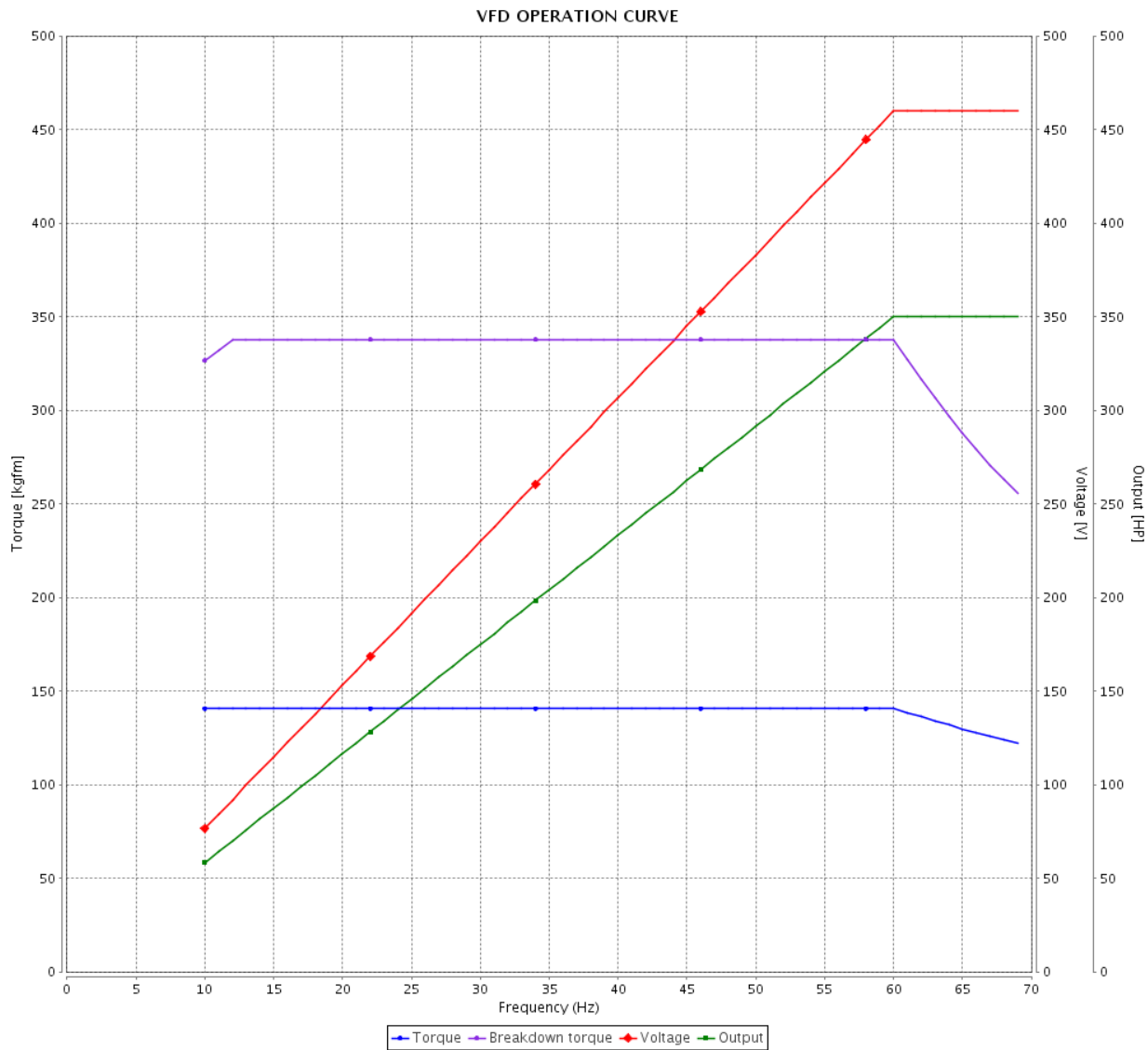


Customer :

Product line : W22 NEMA Premium Efficiency
Three-Phase

Product code : 13500655

Catalog # : 35018ET3GKD449T-W22



Performance : 460 V 60 Hz 4P

Rated current : 394 A
LRC : 6.4
Rated torque : 141 kgfm
Locked rotor torque : 250 %
Breakdown torque : 240 %
Rated speed : 1780 rpm

Moment of inertia (J)
Duty cycle : Cont.(S1)
Insulation class : F
Service factor : 1.15
Temperature rise : 80 K
Design : A

Rev.	Changes Summary	Performed	Checked	Date
Performed by			Page 6 / 6	Revision
Checked by				
Date	24/04/2018			

EIXO/SHAFT	
PADRÃO/STANDARD	X
OPCIONAL/OPTIONAL	
ESPECIAL/SPECIAL	

Dimensões em polegada
Dimensions in inches

THIS IS AN UPDATED REVISION, THE PREVIOUS ONE MUST BE DISREGARDED.

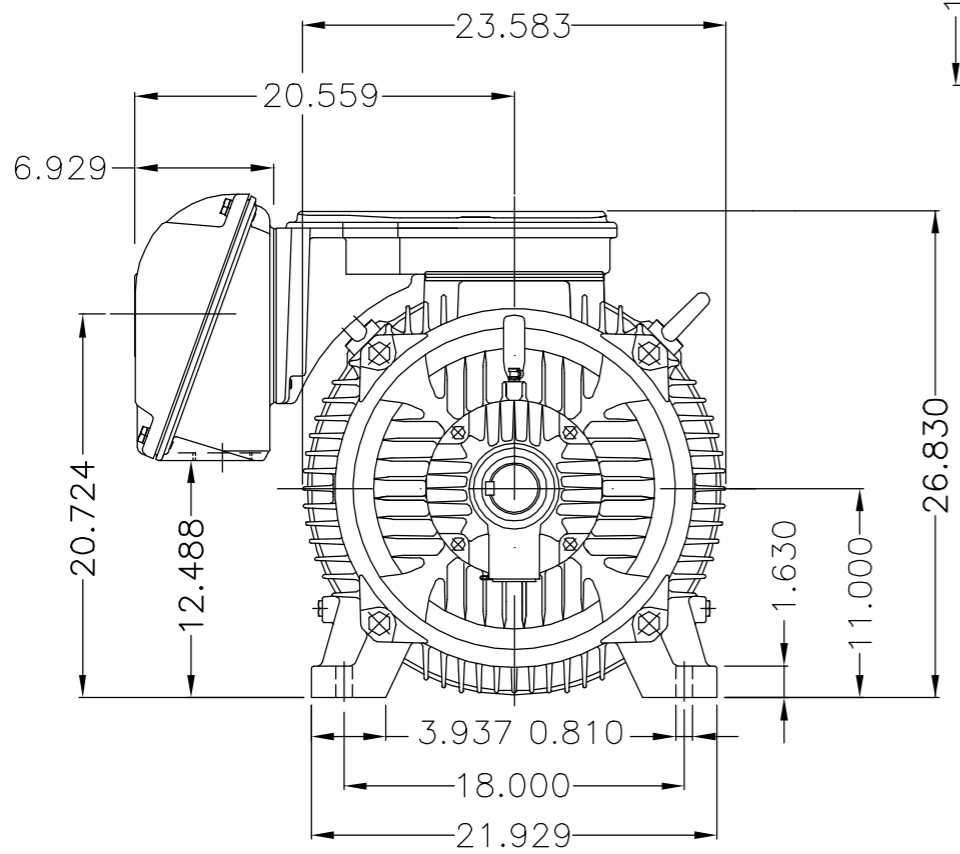
A

B

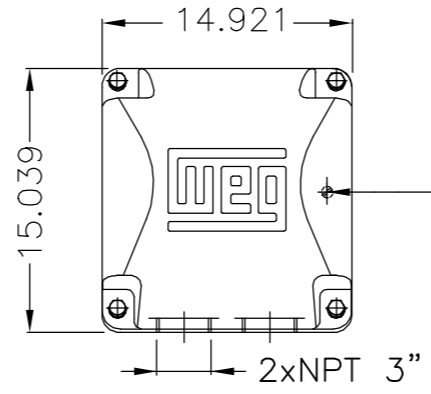
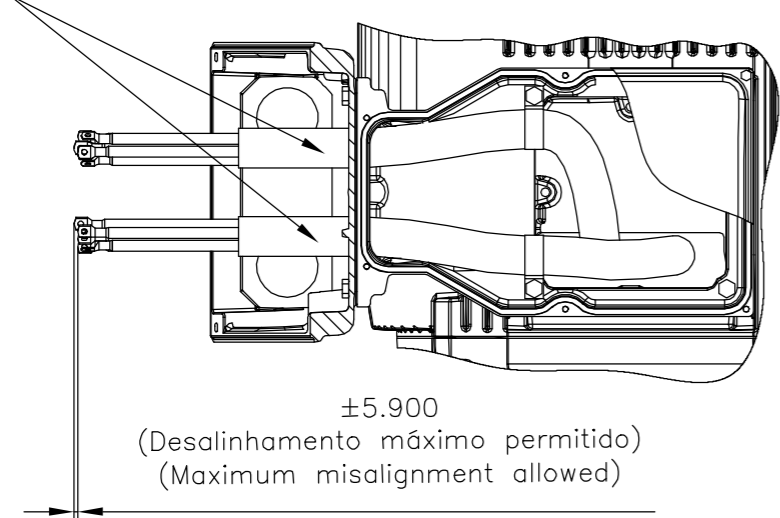
C

D

E

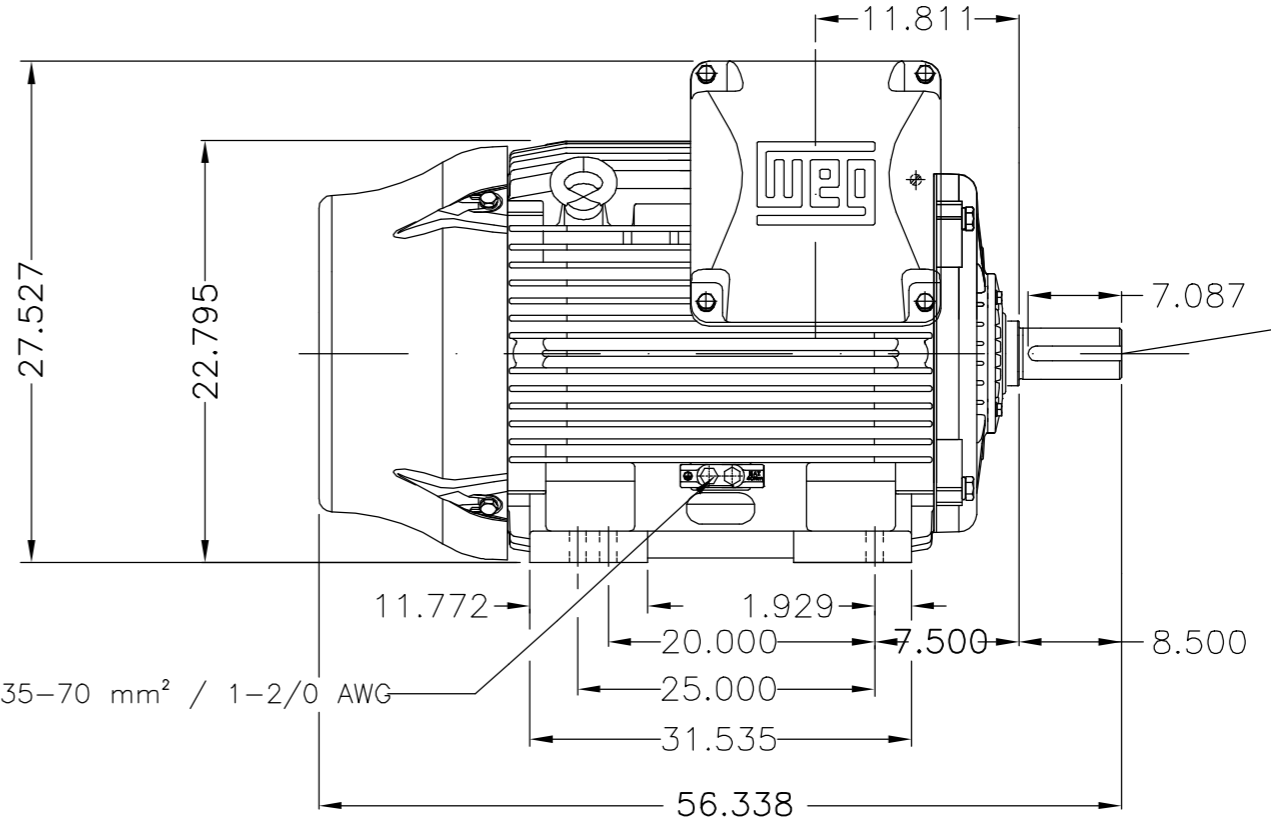


Fixar o condúite no suporte com abraçadeiras.
Fasten the conduit on support with cables ties.



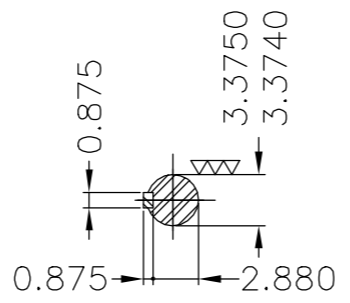
Main terminal box

Grounding for leads 35-70 mm² / 1-2/0 AWG



Grounding for leads 35-70 mm² / 1-2/0 AWG

Center Hole
DUNC 3/4"-10 WEG TBG12



DE Shaft End

Linha do motor: Crusher Duty / Motor purpose: Crusher Duty	
Rolamento dianteiro de rolos / DE roller bearing	
Conduite para cabos no interior do suporte da caixa de ligação	
Cables conduit inside terminal box support	
Dispositivo de travamento de eixo / Shaft locking device	
Cor RAL 5009 / Color RAL 5009	
Plano de pintura 203A / Painting plan 203A	
Forma construtiva B3D / Mounting B3R(D)	

200 HP	08 Poles	60Hz	414658029	G
300 HP	06 Poles	60Hz	414658029	F
250 HP	06 Poles	60Hz	414658029	E
200 HP	06 Poles	60Hz	414668751	D
350 HP	04 Poles	60Hz	414658029	C
300 HP	04 Poles	60Hz	414658029	B
250 HP	04 Poles	60Hz	414658029	A

WEG EQUIPAMENTOS ELÉTRICOS S/A					
500001331189	ADIC.NOTA CONDUITE/ADD NOTE CONDUIT	MENSOR	EANJOS	05.07.2017	04
500001323616	ALTERADO CONFORME CDP 414658625	MENSOR	JMANENTE	20.06.2017	03
ECM	LOC	SUMMARY OF MODIFICATIONS		EXECUTED	CHECKED
EXECUTED	GABRIELID	THREE PHASE W22 MOTOR		10004923929	
CHECKED		FRAME 447/9T IP55 TEFC		000 04	
RELEASED	JMANENTE				
REL DT	09.05.2017	WMO	Jaraguá do Sul	Product Engineering	SHEET 1 / 1



UNCONTROLLED COPY

RELEASED

ZME A3