

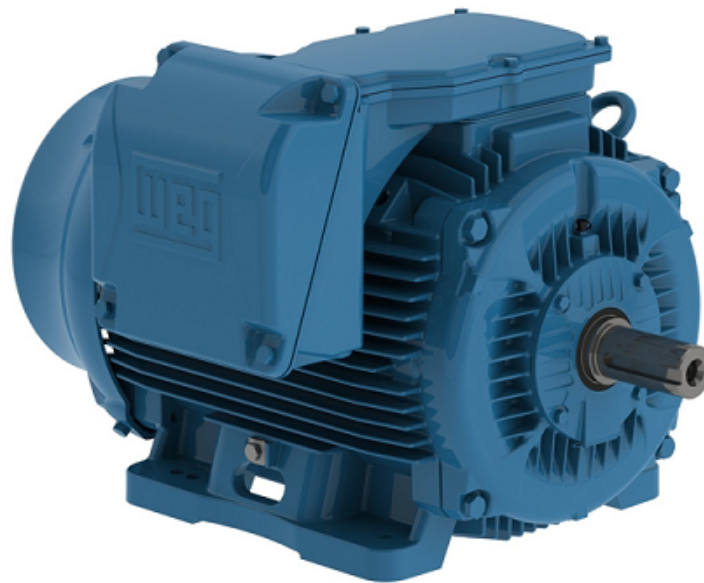


No.:

Customer :

TECHNICAL PROPOSAL

Three-phase induction motor - Squirrel cage rotor



Product line : Three-Phase: W22 Crusher Duty TEFC (IP55)

Catalog Number : 35009ET3GKD586/7-W22

List Price : \$64,873.00

Notes:

Performed by:

Checked:

DATA SHEET



Three Phase Induction Motor - Squirrel Cage

Customer	:			
Product line	: W22 NEMA Premium Efficiency Three-Phase		Product code :	13500651
			Catalog # :	35009ET3GKD586/7-W22
Frame	: 586/7T		Locked rotor time	: 61s (cold) 34s (hot)
Output	: 350 HP (260 kW)		Temperature rise	: 80 K
Poles	: 8		Duty cycle	: Cont.(S1)
Frequency	: 60 Hz		Ambient temperature	: -20°C to +40°C
Rated voltage	: 460 V		Altitude	: 1000 m.a.s.l.
Rated current	: 426 A		Protection degree	: IP55
L. R. Amperes	: 2726 A		Cooling method	: IC411 - TEFC
LRC	: 6.4x(Code G)		Mounting	: F-1
No load current	: 190 A		Rotation ¹	: Both (CW and CCW)
Rated speed	: 895 rpm		Noise level ²	: 75.0 dB(A)
Slip	: 0.56 %		Starting method	: Direct On Line
Rated torque	: 280 kgfm		Approx. weight ³	: 2038 kg
Locked rotor torque	: 160 %			
Breakdown torque	: 229 %			
Insulation class	: F			
Service factor	: 1.00			
Moment of inertia (J)				
Output	25%	50%	75%	100%
Efficiency (%)	95.3	95.4	95.8	95.8
Power Factor	0.39	0.64	0.75	0.80
	Foundation loads			
			Max. traction	: 3390 kgf
			Max. compression	: 5428 kgf
		<u>Drive end</u>	<u>Non drive end</u>	
Bearing type	:	NU-322 C3	6319 C3	
Sealing	:	Taconite Labyrinth	Taconite Labyrinth	
Lubrication interval	:	13000 h	17000 h	
Lubricant amount	:	60 g	45 g	
Lubricant type	:	Mobil Polyrex EM		
Notes				
This revision replaces and cancel the previous one, which must be eliminated. (1) Looking the motor from the shaft end. (2) Measured at 1m and with tolerance of +3dB(A). (3) Approximate weight subject to changes after manufacturing process. (4) At 100% of full load.			These are average values based on tests with sinusoidal power supply, subject to the tolerances stipulated in NEMA MG-1.	
Rev.	Changes Summary		Performed	Checked
Performed by			Page	Revision
Checked by				
Date	24/04/2018			
			1 / 7	

DATA SHEET

Three Phase Induction Motor - Squirrel Cage



Customer : _____

Space heater information

Voltage: 200 - 240 V

Rev.	Changes Summary	Performed	Checked	Date
Performed by				
Checked by				
Date	24/04/2018		Page 2 / 7	Revision

TORQUE AND CURRENT VS SPEED CURVE



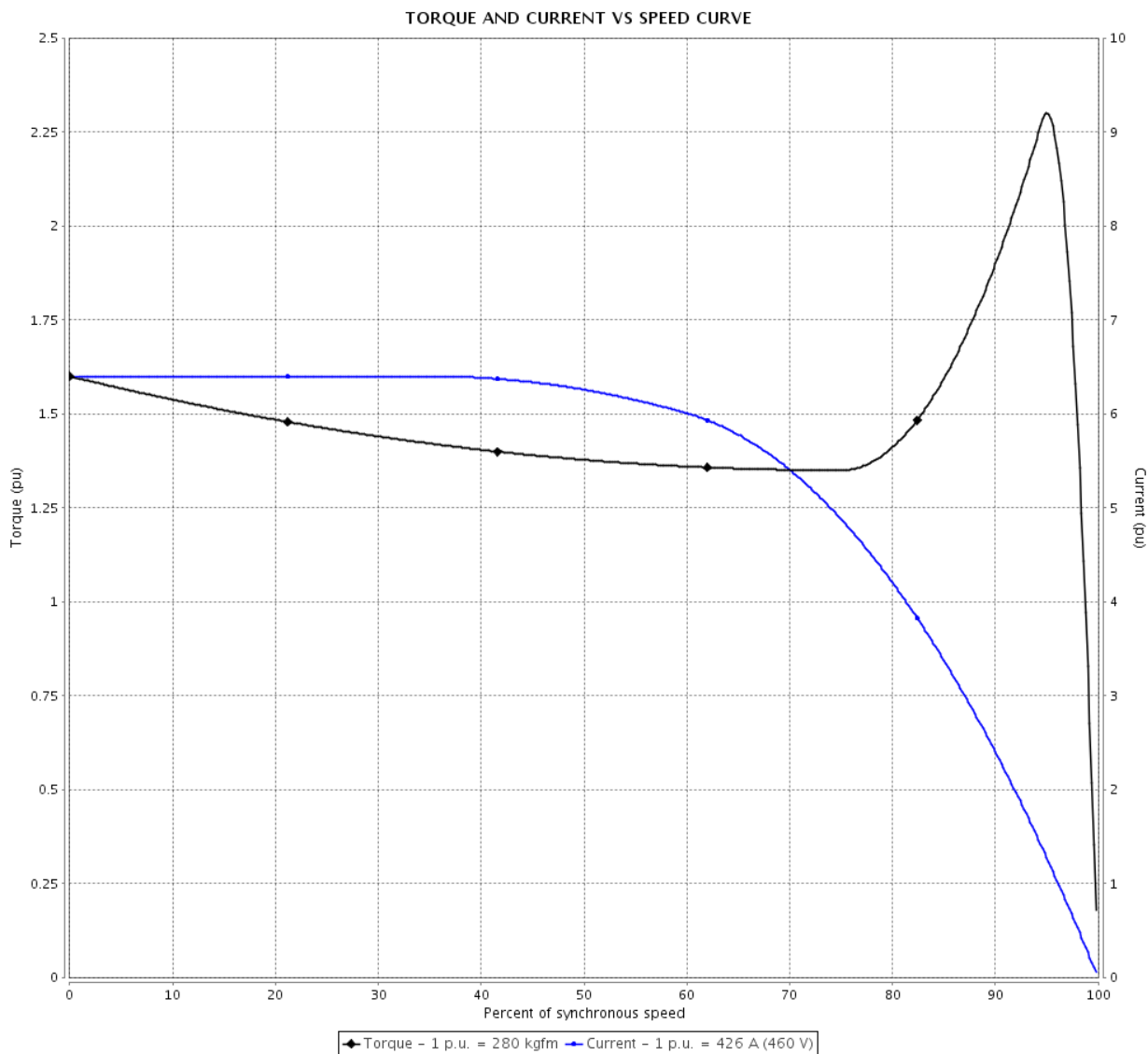
Three Phase Induction Motor - Squirrel Cage

Customer :

Product line : W22 NEMA Premium Efficiency
Three-Phase

Product code : 13500651

Catalog # : 35009ET3GKD586/7-W22



Performance : 460 V 60 Hz 8P

Rated current : 426 A
 LRC : 6.4
 Rated torque : 280 kgfm
 Locked rotor torque : 160 %
 Breakdown torque : 229 %
 Rated speed : 895 rpm

Moment of inertia (J)
 Duty cycle : Cont.(S1)
 Insulation class : F
 Service factor : 1.00
 Temperature rise : 80 K

Locked rotor time : 61s (cold) 34s (hot)

Rev.	Changes Summary	Performed	Checked	Date
Performed by			Page 3 / 7	Revision
Checked by				
Date	24/04/2018			

LOAD PERFORMANCE CURVE

Three Phase Induction Motor - Squirrel Cage

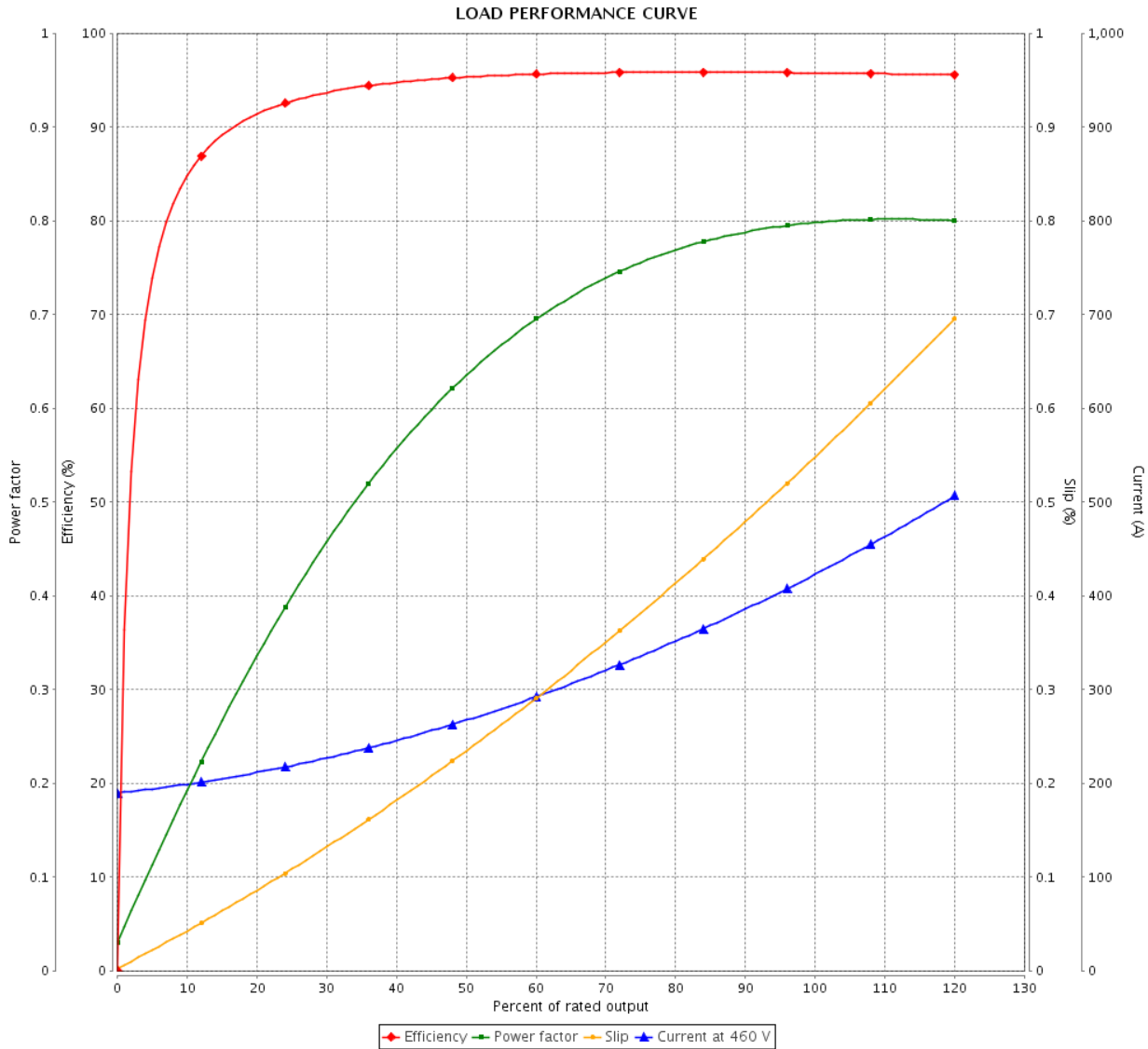


Customer :

Product line : W22 NEMA Premium Efficiency
Three-Phase

Product code : 13500651

Catalog # : 35009ET3GKD586/7-W22



Performance : 460 V 60 Hz 8P

Rated current : 426 A
 LRC : 6.4
 Rated torque : 280 kgfm
 Locked rotor torque : 160 %
 Breakdown torque : 229 %
 Rated speed : 895 rpm

Moment of inertia (J)
 Duty cycle : Cont.(S1)
 Insulation class : F
 Service factor : 1.00
 Temperature rise : 80 K

Rev.	Changes Summary	Performed	Checked	Date
Performed by		Page		Revision
Checked by		4 / 7		
Date	24/04/2018			

THERMAL LIMIT CURVE



Three Phase Induction Motor - Squirrel Cage

Customer :

Product line : W22 NEMA Premium Efficiency
Three-Phase

Product code : 13500651

Catalog # : 35009ET3GKD586/7-W22

Performance : 460 V 60 Hz 8P

Rated current : 426 A
LRC : 6.4
Rated torque : 280 kgfm
Locked rotor torque : 160 %
Breakdown torque : 229 %
Rated speed : 895 rpm

Moment of inertia (J)
Duty cycle : Cont.(S1)
Insulation class : F
Service factor : 1.00
Temperature rise : 80 K

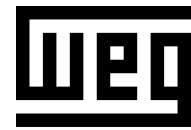
Heating constant

Cooling constant

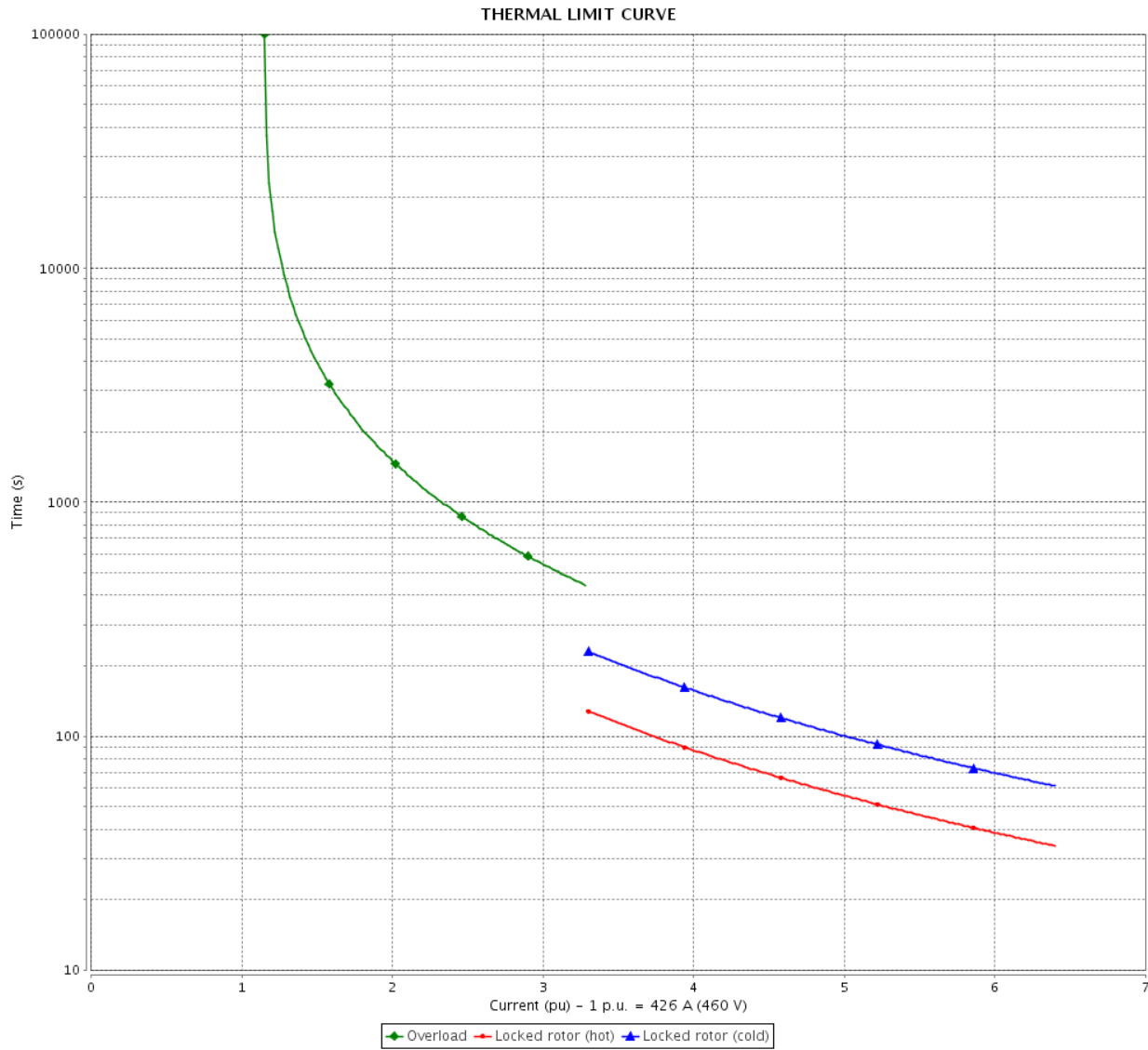
Rev.	Changes Summary	Performed	Checked	Date
Performed by				
Checked by			Page	Revision
Date	24/04/2018		5 / 7	

THERMAL LIMIT CURVE

Three Phase Induction Motor - Squirrel Cage



Customer : _____



Rev.	Changes Summary	Performed	Checked	Date
Performed by		Page 6 / 7		Revision
Checked by				
Date				

VFD OPERATION CURVE

Three Phase Induction Motor - Squirrel Cage

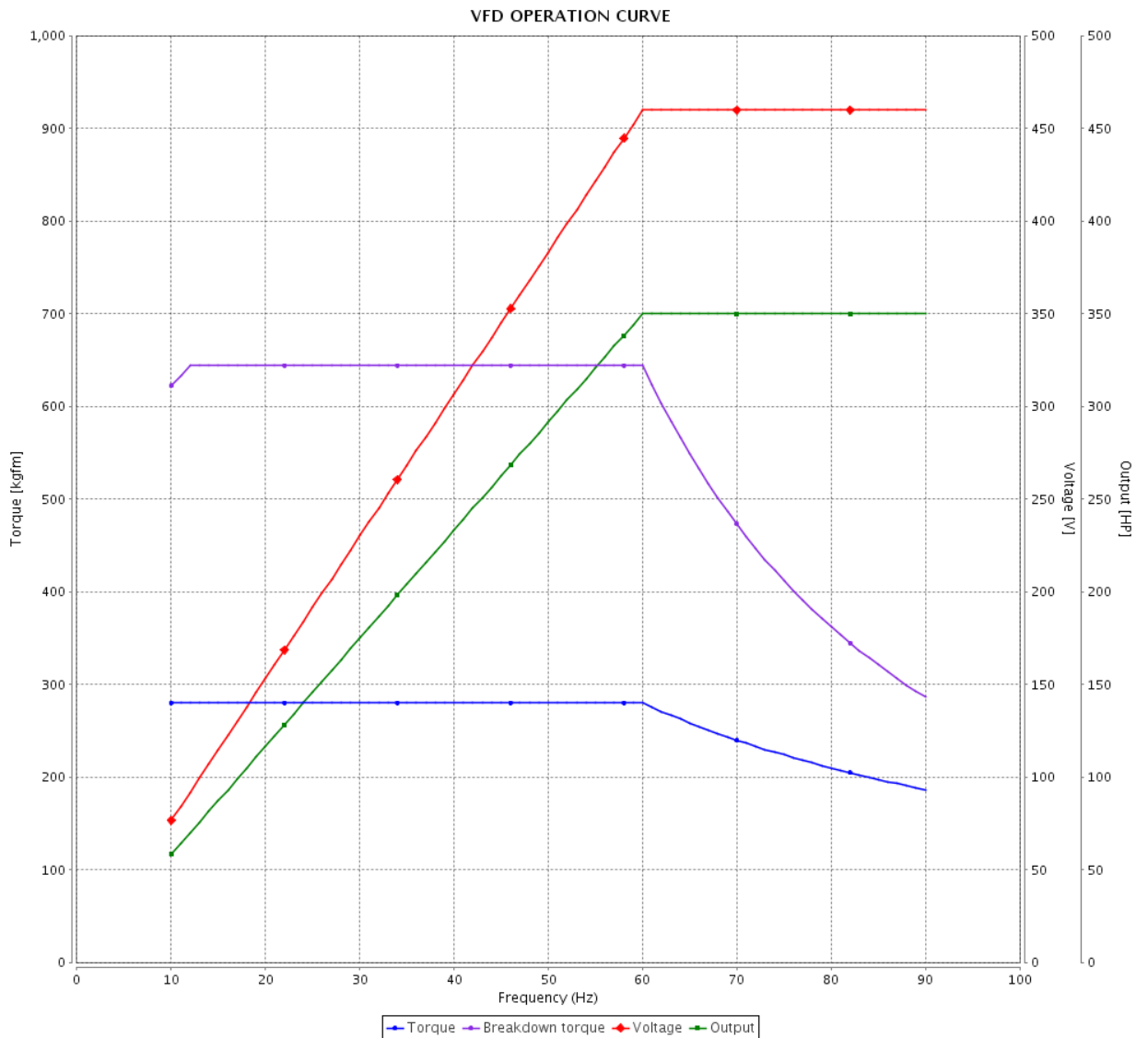


Customer :

Product line : W22 NEMA Premium Efficiency
Three-Phase

Product code : 13500651

Catalog # : 35009ET3GKD586/7-W22



Performance : 460 V 60 Hz 8P

Rated current : 426 A
LRC : 6.4
Rated torque : 280 kgfm
Locked rotor torque : 160 %
Breakdown torque : 229 %
Rated speed : 895 rpm

Moment of inertia (J)
Duty cycle : Cont.(S1)
Insulation class : F
Service factor : 1.00
Temperature rise : 80 K

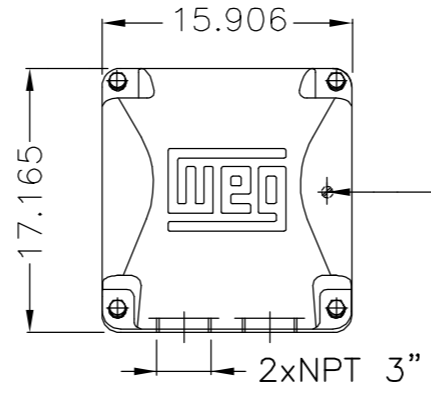
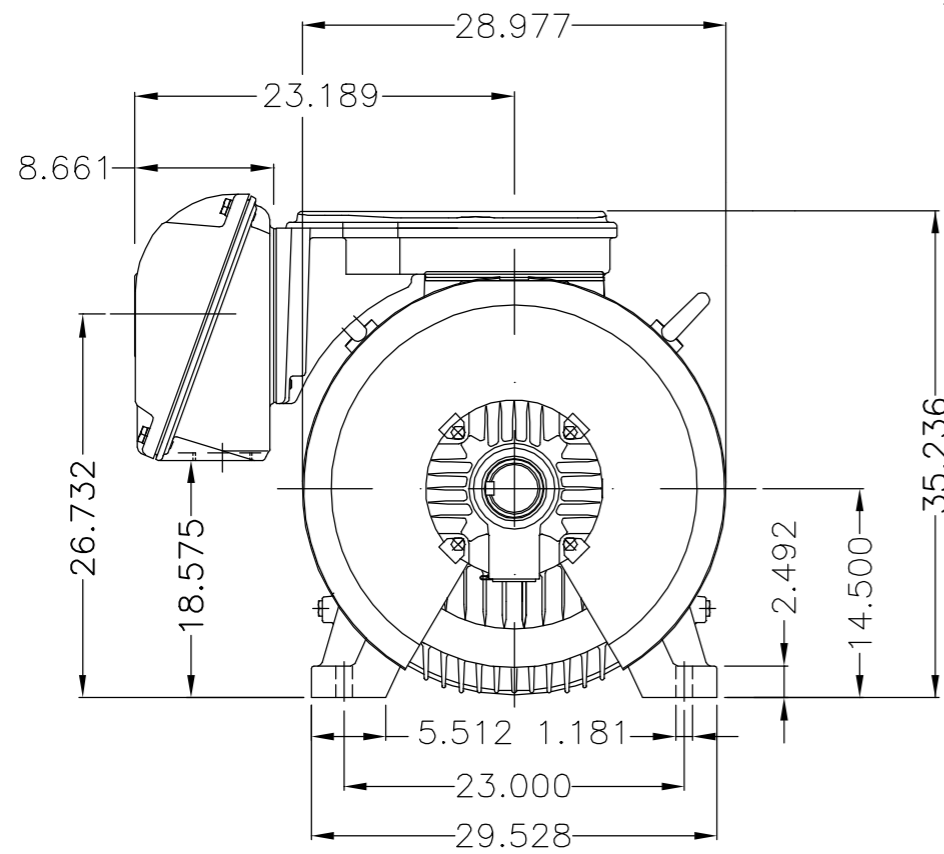
Rev.	Changes Summary	Performed	Checked	Date
Performed by				Page 7 / 7
Checked by				
Date	24/04/2018			
				Revision

EIXO/SHAFT	
PADRÃO/STANDARD	X
OPCIONAL/OPTIONAL	
ESPECIAL/SPECIAL	

Dimensões em polegada
Dimensions in inches

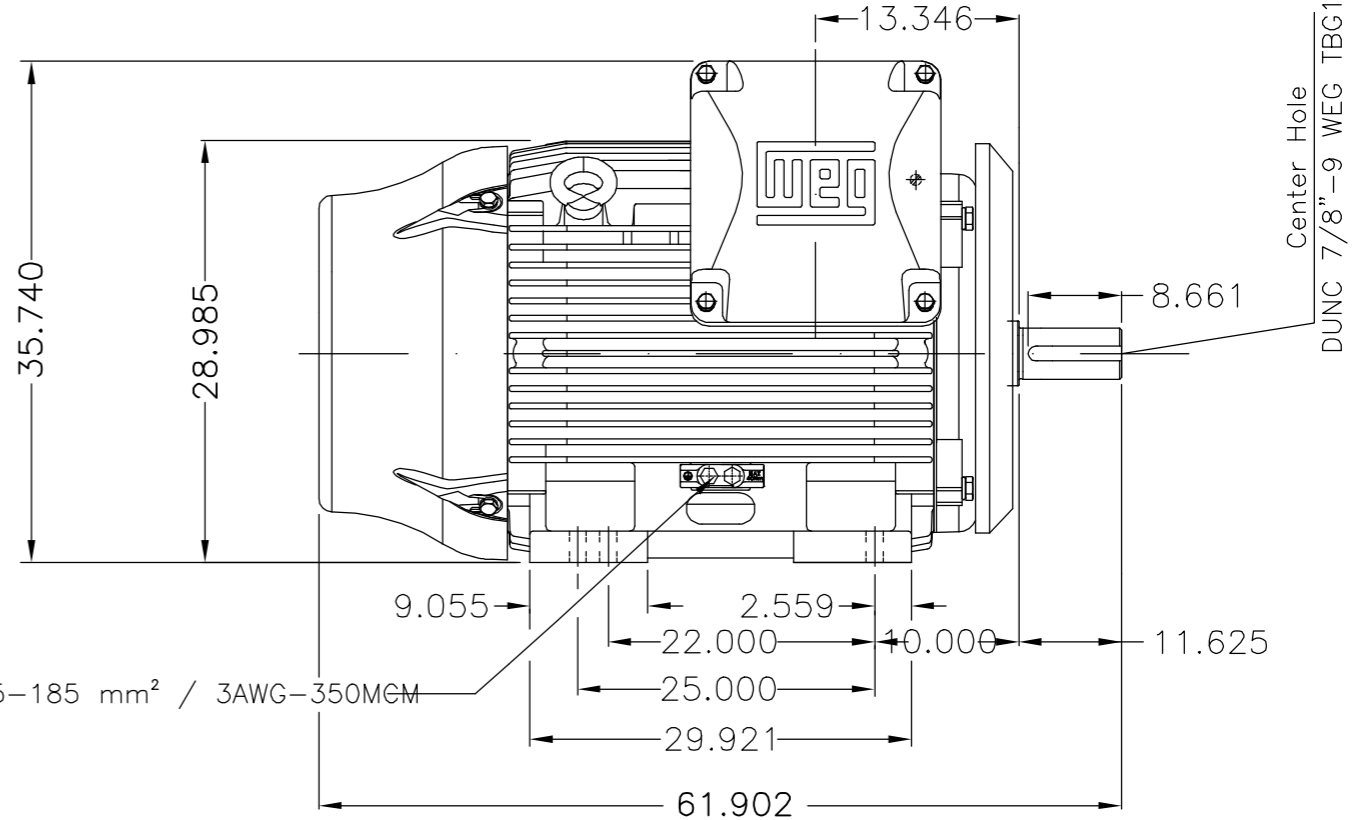
THIS IS AN UPDATED REVISION, THE PREVIOUS ONE MUST BE DISREGARDED.

A
B
C
D
E



Main terminal box

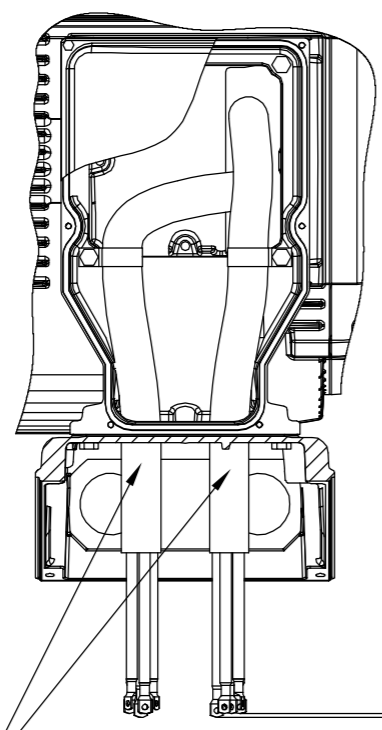
Grounding for leads 35-120 mm² / 1-4/0 AWG



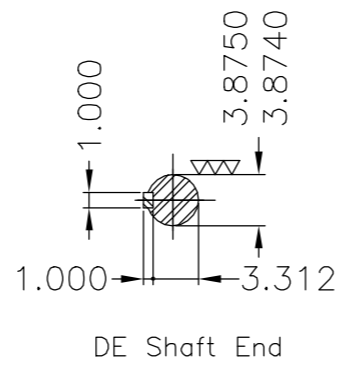
Grounding for leads 25-185 mm² / 3AWG-350MCM

Center Hole
DUNC 7/8"-9 WEG TBG12

Fixar o conduíte no suporte com abraçadeiras.
Fasten the conduit on support with cables ties.



±5.900
(Desalinhamento máximo permitido)
(Maximum misalignment allowed)



DE Shaft End

Conduite para cabos no interior do suporte da caixa de ligação						
Cables conduit inside terminal box support						
Linha do motor: Crusher Duty / Motor purpose: Crusher Duty						
Rolamento dianteiro de rolos / DE roller bearing						
Dispositivo de travamento de eixo / Shaft locking device						
Tampa traseira com mancal eletricamente isolado						
NDE endshield with electrically insulated bearing hub						
Defletor de ar dianteiro / Drive-End Air Deflector						
Cor RAL 5009 / Color RAL 5009						
Plano de pintura 203A / Painting plan 203A						
Forma construtiva NEMA F-1 / Mounting NEMA F-1						
Forma construtiva B3D / Mounting B3R(D)						
WEG EQUIPAMENTOS ELÉTRICOS S/A						

500001331189		ADIC.NOTA CONDUITE/ADD NOTE CONDUIT	MENSOR		EANJOS	05.07.2017	04
500001323616		ALTERADO CONFORME CDP 414658625	MENSOR		JMANENTE	20.06.2017	03
ECM	LOC	SUMMARY OF MODIFICATIONS	EXECUTED	CHECKED	RELEASED	DATE	VER
EXECUTED	GABRIELID	THREE PHASE W22 MOTOR FRAME 586/7T IP55 TEFC					
CHECKED							
RELEASED	JMANENTE						
REL DT	09.05.2017	WMO					

350 HP 08 Poles 60Hz 414658029

A