



No.:

Customer :

TECHNICAL PROPOSAL

Three-phase induction motor - Squirrel cage rotor



Product line : Three-Phase: W22 Crusher Duty TEFC (IP55)

Catalog Number : 30009ET3GKD586/7-W22

List Price : \$58,655.00

Notes:

Performed by:

Checked:



# DATA SHEET

## Three Phase Induction Motor - Squirrel Cage



Customer : \_\_\_\_\_

### Space heater information

Voltage: 200 - 240 V

Rev.	Changes Summary	Performed	Checked	Date
Performed by				
Checked by				
Date	24/04/2018		Page 2 / 7	Revision

# TORQUE AND CURRENT VS SPEED CURVE



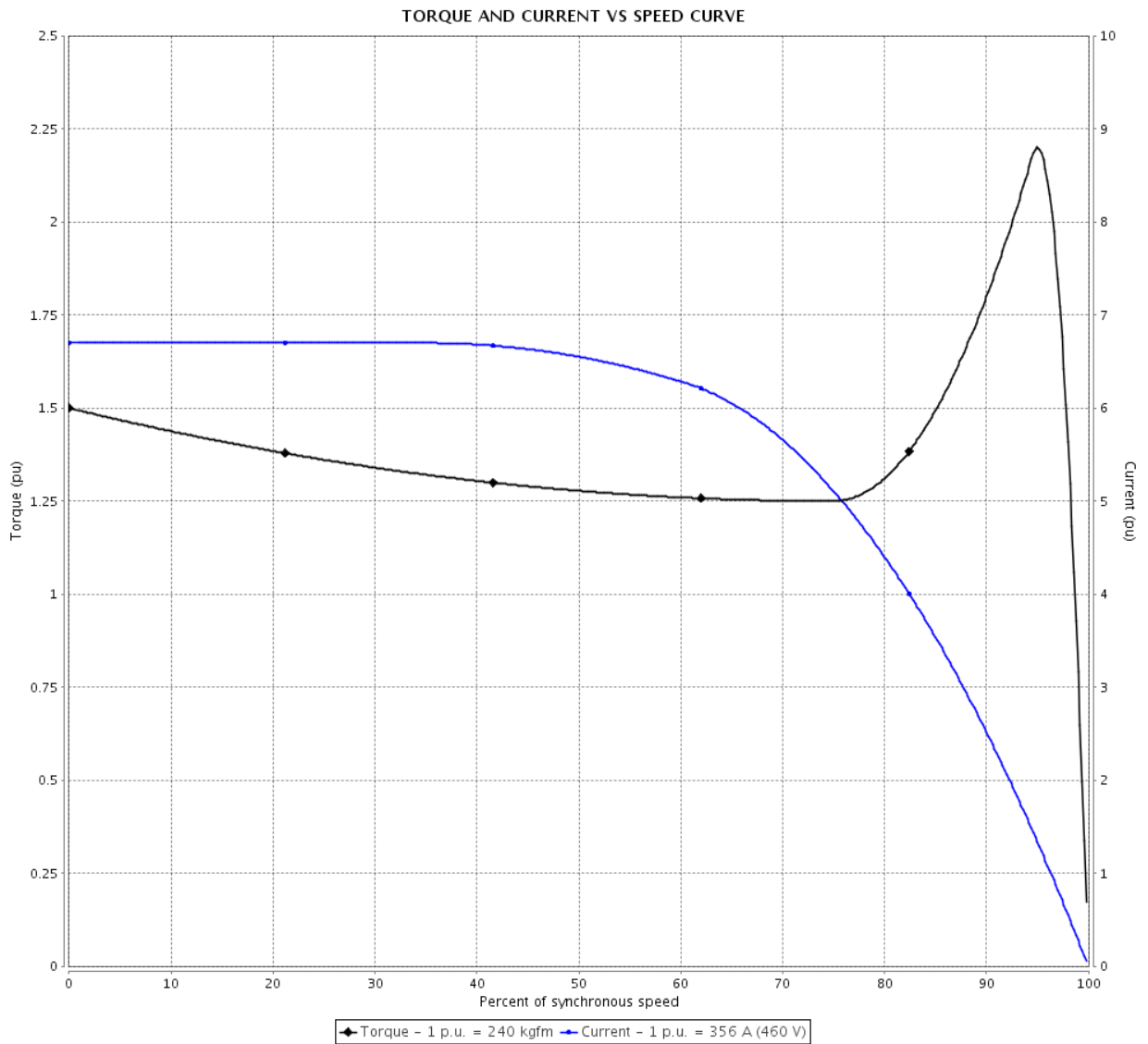
## Three Phase Induction Motor - Squirrel Cage

Customer :

Product line : W22 NEMA Premium Efficiency  
Three-Phase

Product code : 13500620

Catalog # : 30009ET3GKD586/7-W22



Performance : 460 V 60 Hz 8P

Rated current : 356 A  
LRC : 6.7  
Rated torque : 240 kgfm  
Locked rotor torque : 150 %  
Breakdown torque : 220 %  
Rated speed : 895 rpm

Moment of inertia (J)  
Duty cycle : Cont.(S1)  
Insulation class : F  
Service factor : 1.15  
Temperature rise : 80 K

Locked rotor time : 72s (cold) 40s (hot)

Rev.	Changes Summary	Performed	Checked	Date
Performed by		Page		Revision
Checked by		3 / 7		
Date		24/04/2018		

# LOAD PERFORMANCE CURVE

Three Phase Induction Motor - Squirrel Cage

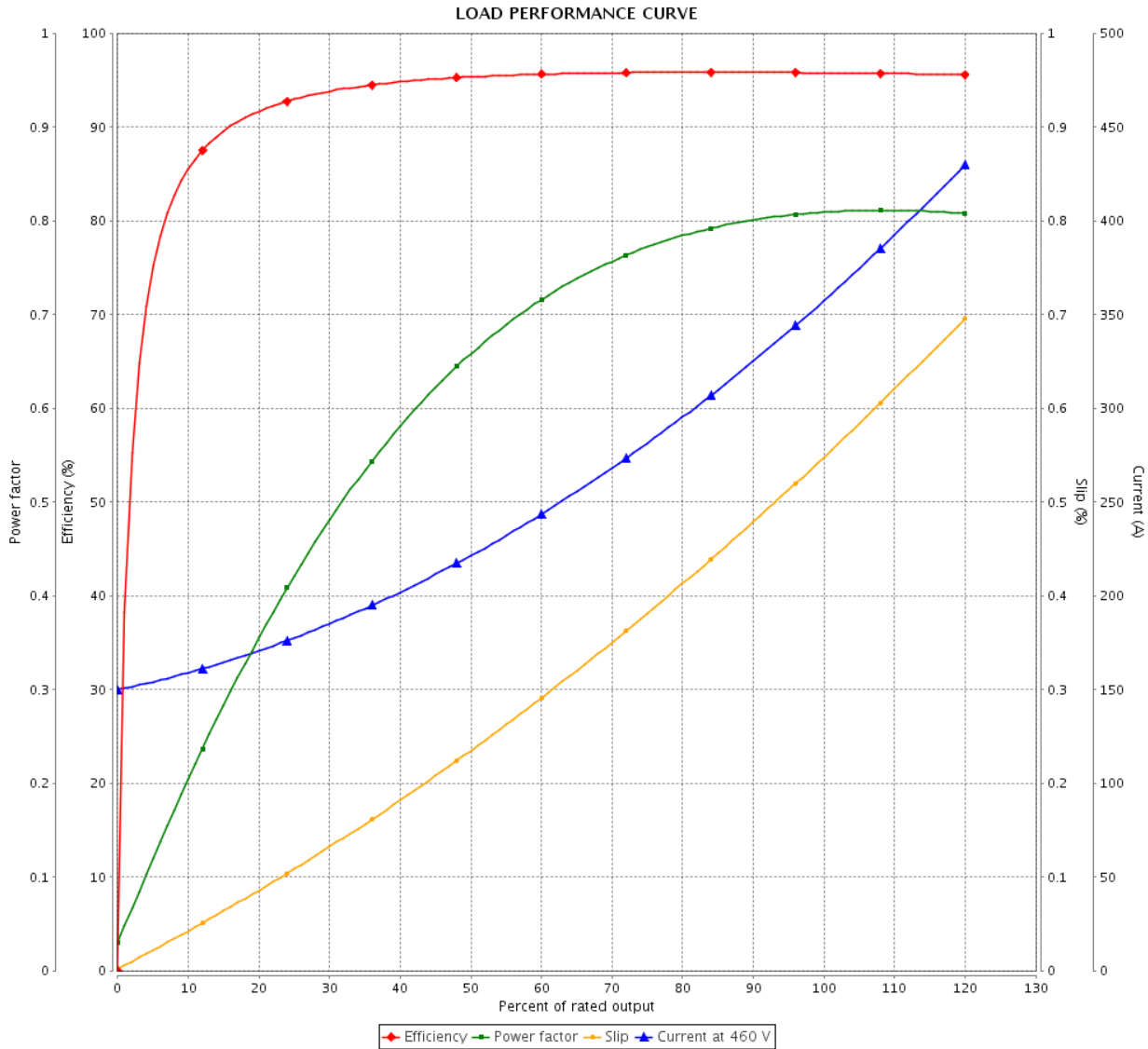


Customer : \_\_\_\_\_

Product line : W22 NEMA Premium Efficiency  
Three-Phase

Product code : 13500620

Catalog # : 30009ET3GKD586/7-W22



Performance : 460 V 60 Hz 8P

Rated current : 356 A  
 LRC : 6.7  
 Rated torque : 240 kgfm  
 Locked rotor torque : 150 %  
 Breakdown torque : 220 %  
 Rated speed : 895 rpm

Moment of inertia (J)  
 Duty cycle : Cont.(S1)  
 Insulation class : F  
 Service factor : 1.15  
 Temperature rise : 80 K

Rev.	Changes Summary	Performed	Checked	Date
Performed by		Page		Revision
Checked by		4 / 7		
Date	24/04/2018			

# THERMAL LIMIT CURVE

## Three Phase Induction Motor - Squirrel Cage



Customer :

Product line : W22 NEMA Premium Efficiency  
Three-Phase

Product code : 13500620

Catalog # : 30009ET3GKD586/7-W22

Performance : 460 V 60 Hz 8P

Rated current : 356 A  
LRC : 6.7  
Rated torque : 240 kgfm  
Locked rotor torque : 150 %  
Breakdown torque : 220 %  
Rated speed : 895 rpm

Moment of inertia (J)  
Duty cycle : Cont.(S1)  
Insulation class : F  
Service factor : 1.15  
Temperature rise : 80 K

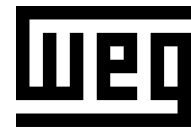
Heating constant

Cooling constant

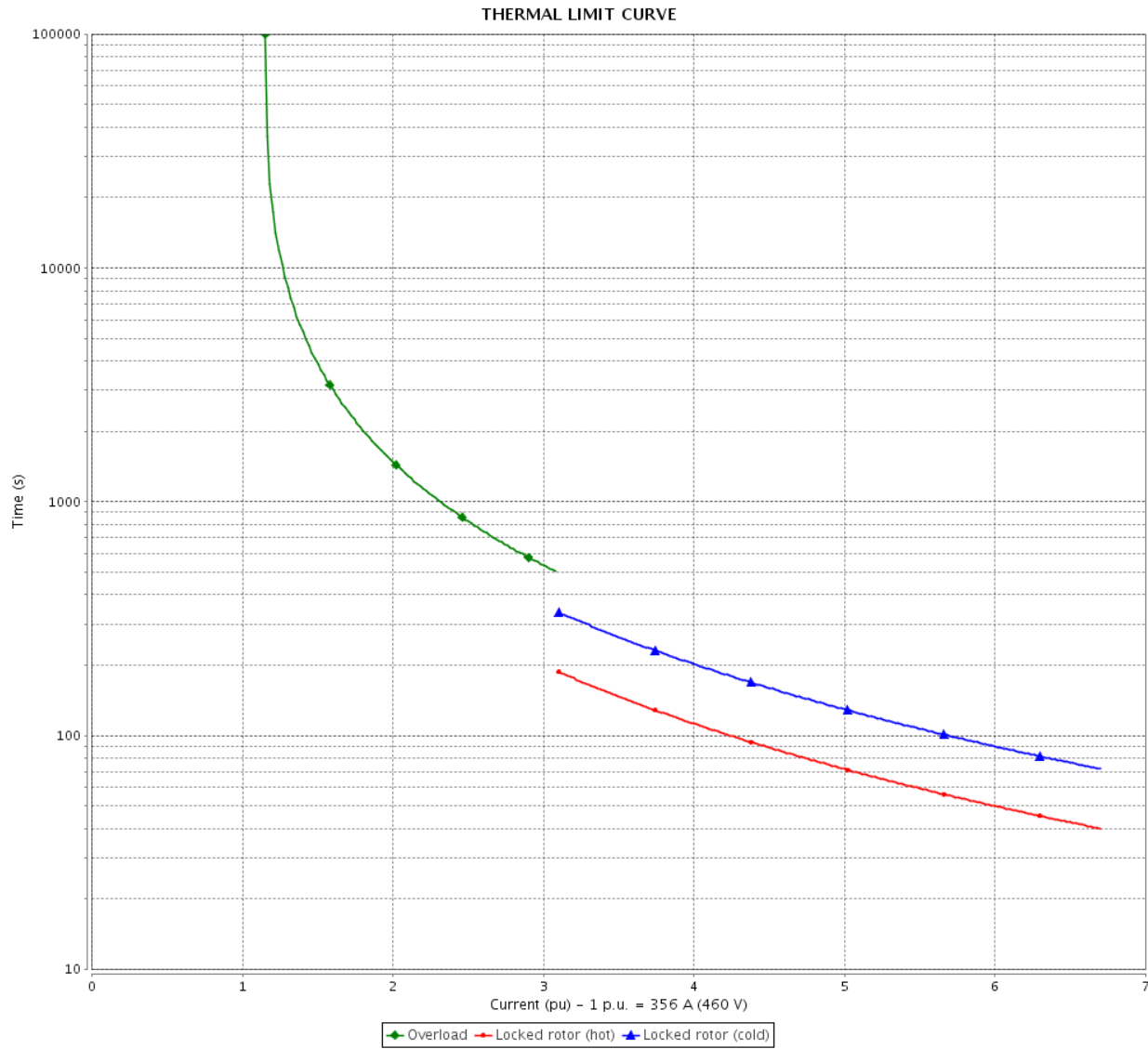
Rev.	Changes Summary	Performed	Checked	Date
Performed by				
Checked by			Page	Revision
Date	24/04/2018		5 / 7	

# THERMAL LIMIT CURVE

Three Phase Induction Motor - Squirrel Cage



Customer : \_\_\_\_\_



Rev.	Changes Summary	Performed	Checked	Date
Performed by		Page 6 / 7		Revision
Checked by				
Date				

# VFD OPERATION CURVE

## Three Phase Induction Motor - Squirrel Cage

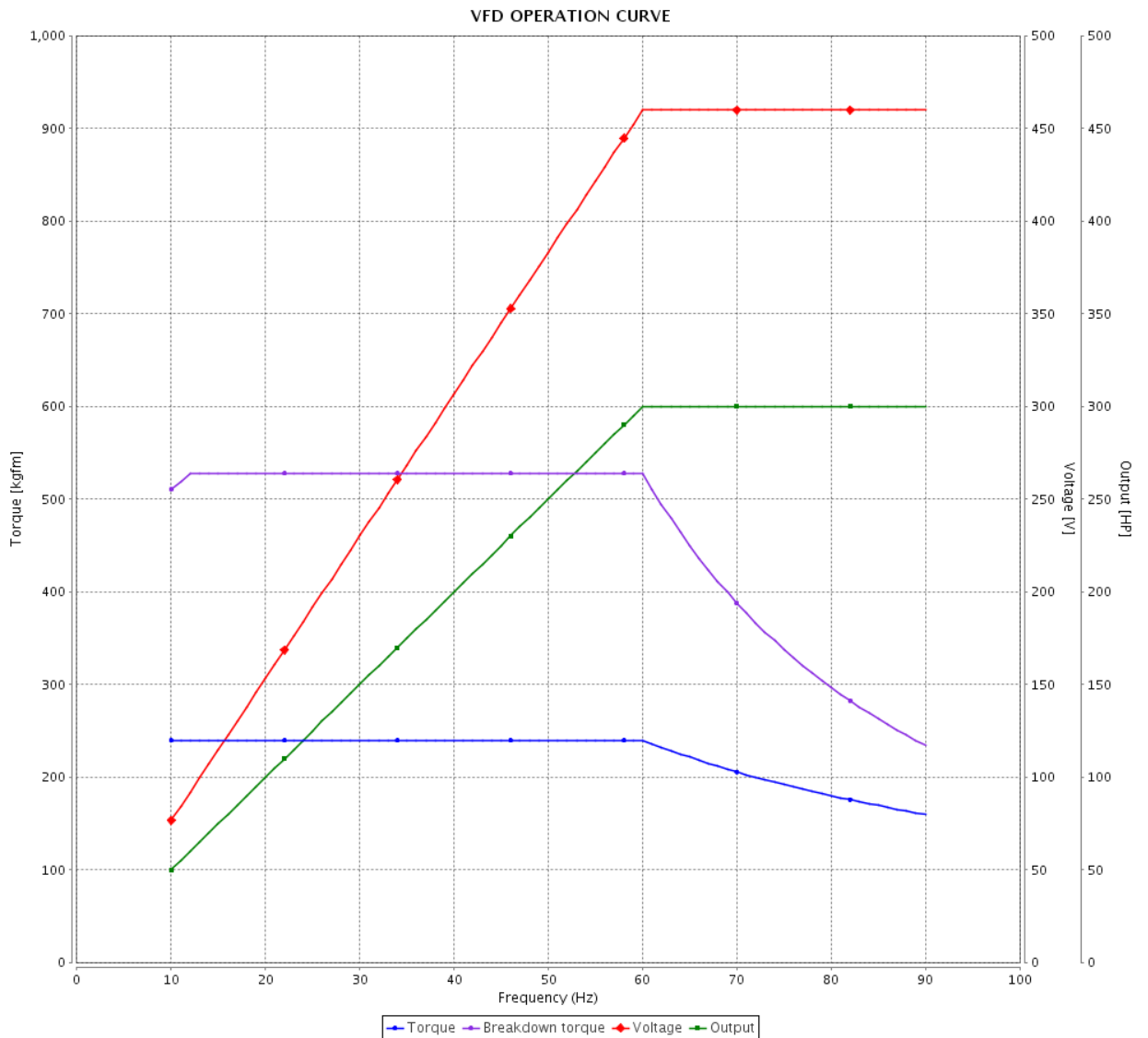


Customer :

Product line : W22 NEMA Premium Efficiency  
Three-Phase

Product code : 13500620

Catalog # : 30009ET3GKD586/7-W22



Performance : 460 V 60 Hz 8P

Rated current : 356 A  
LRC : 6.7  
Rated torque : 240 kgfm  
Locked rotor torque : 150 %  
Breakdown torque : 220 %  
Rated speed : 895 rpm

Moment of inertia (J)  
Duty cycle : Cont.(S1)  
Insulation class : F  
Service factor : 1.15  
Temperature rise : 80 K

Rev.	Changes Summary	Performed	Checked	Date
Performed by				Page 7 / 7
Checked by				
Date	24/04/2018			
				Revision

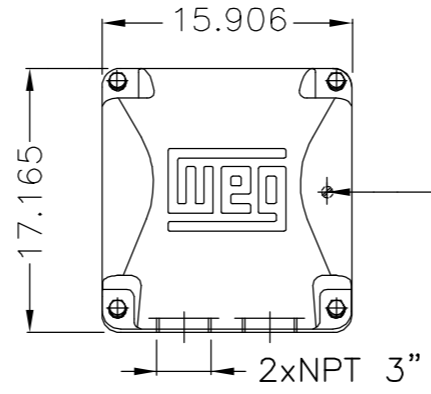
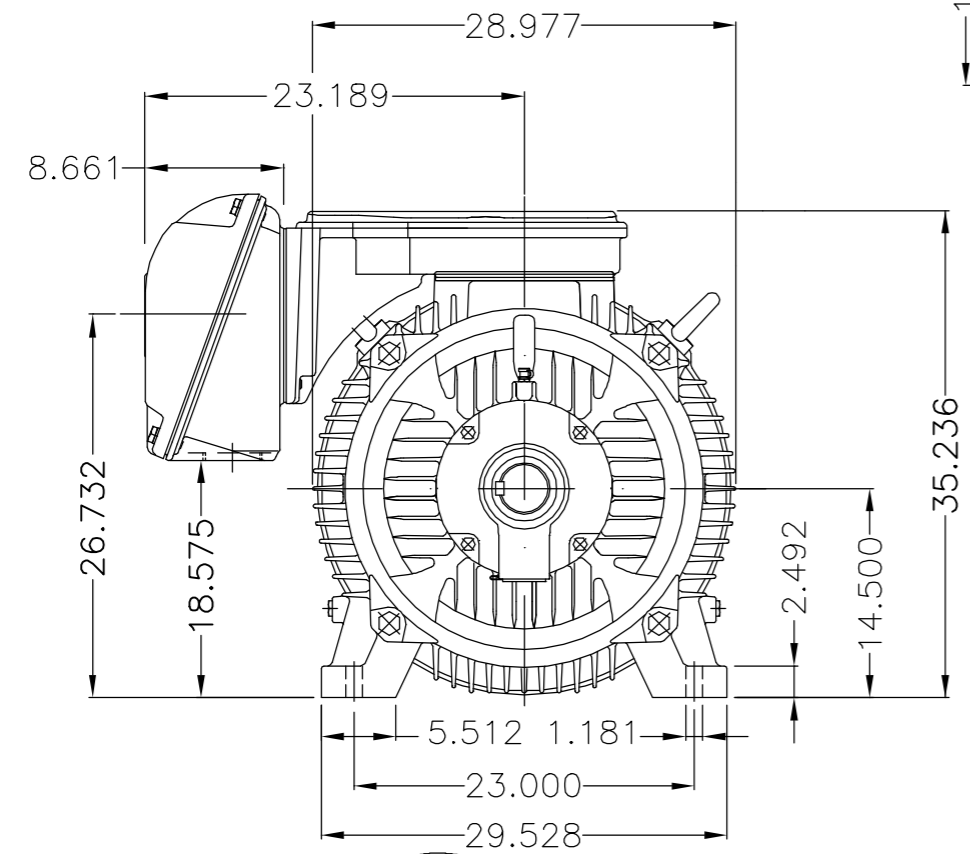


EIXO/SHAFT	
PADRÃO/STANDARD	X
OPCIONAL/OPTIONAL	
ESPECIAL/SPECIAL	

Dimensões em polegada  
Dimensions in inches

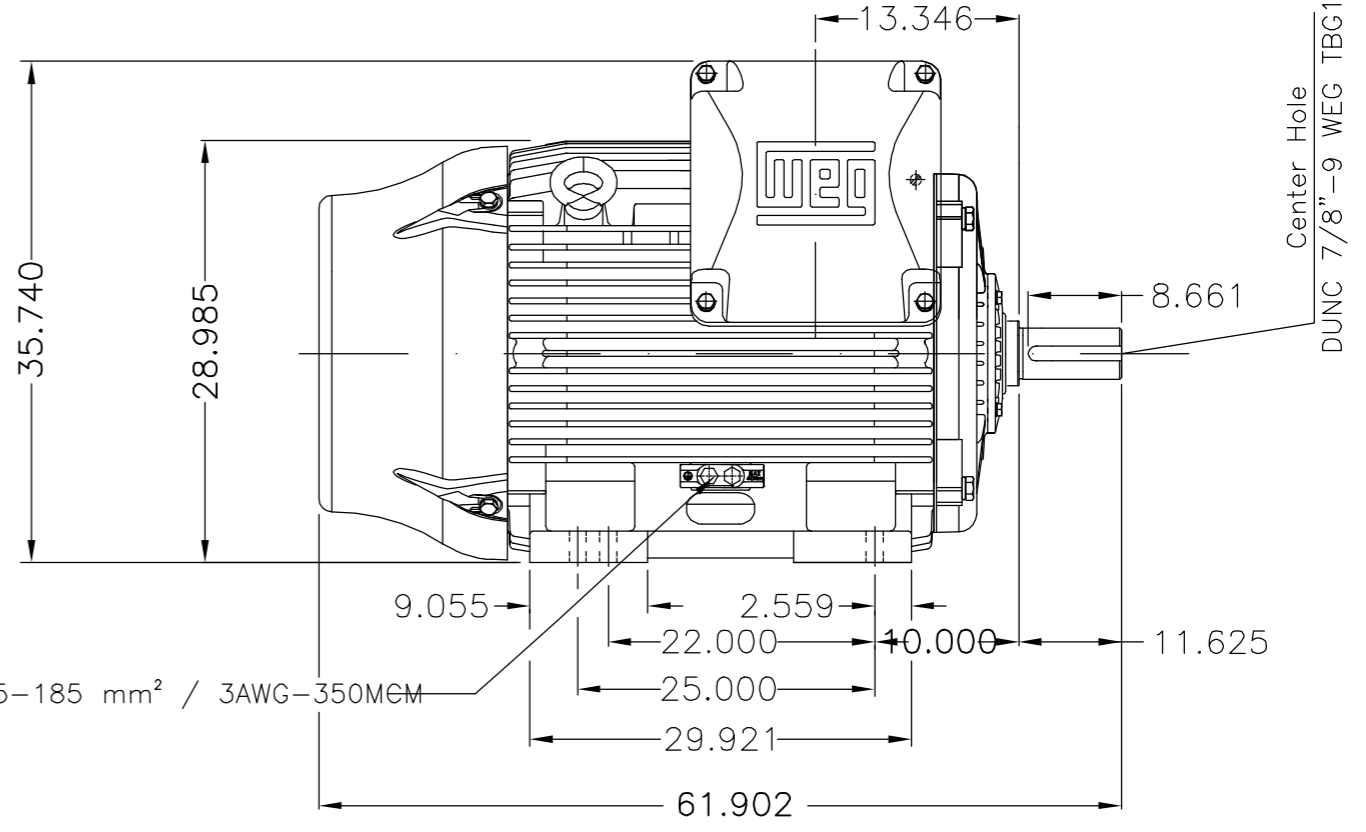
THIS IS AN UPDATED REVISION, THE PREVIOUS ONE MUST BE DISREGARDED.

A  
B  
C  
D  
E



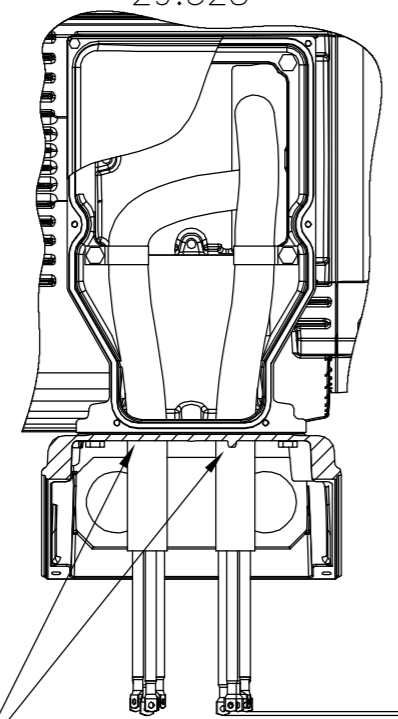
Grounding for leads 35-120 mm<sup>2</sup> / 1-4/0 AWG

Main terminal box

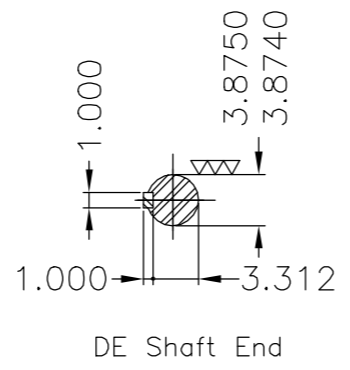


Grounding for leads 25-185 mm<sup>2</sup> / 3AWG-350MEM

Fixar o conduto no suporte com abraçadeiras.  
Fasten the conduit on support with cables ties.



±5.900  
(Desalinhamento máximo permitido)  
(Maximum misalignment allowed)



Conduite para cabos no interior do suporte da caixa de ligação Cables conduit inside terminal box support									
Rolamento dianteiro de rolos / DE roller bearing									
Dispositivo de travamento de eixo / Shaft locking device									
Linha do motor: Crusher Duty / Motor purpose: Crusher Duty									
Tampa traseira com mancal eletricamente isolado NDE endshield with electrically insulated bearing hub									
Cor RAL 5009 / Color RAL 5009									
Plano de pintura 203A / Painting plan 203A									
Forma construtiva B3D / Mounting B3R(D)									
<b>WEG EQUIPAMENTOS ELÉTRICOS S/A</b>									

E	300 HP	08 Poles	60Hz	414658029
	250 HP	08 Poles	60Hz	414668751
	400 HP	06 Poles	60Hz	414658029
	350 HP	06 Poles	60Hz	414658029
	300 HP	06 Poles	60Hz	414658029

E	500001331189	ADIC.NOTA CONDUITE/ADD NOTE CONDUIT	MENSOR	EANJOS	05.07.2017	04
D	500001323616	ALTERADO CONFORME CDP 414658625	MENSOR	JMANENTE	20.06.2017	03
C	EXECUTED	GABRIELID	SUMMARY OF MODIFICATIONS			
B	CHECKED		THREE PHASE W22 MOTOR			
A	RELEASED	JMANENTE	FRAME 586/7T IP55 TEFC			
	REL DT	09.05.2017	WMO	Jaragua do Sul	Product Engineering	

10004924169  
000 | 04  
SHEET 1 / 1

UNCONTROLLED COPY  
RELEASED  
ZME A3